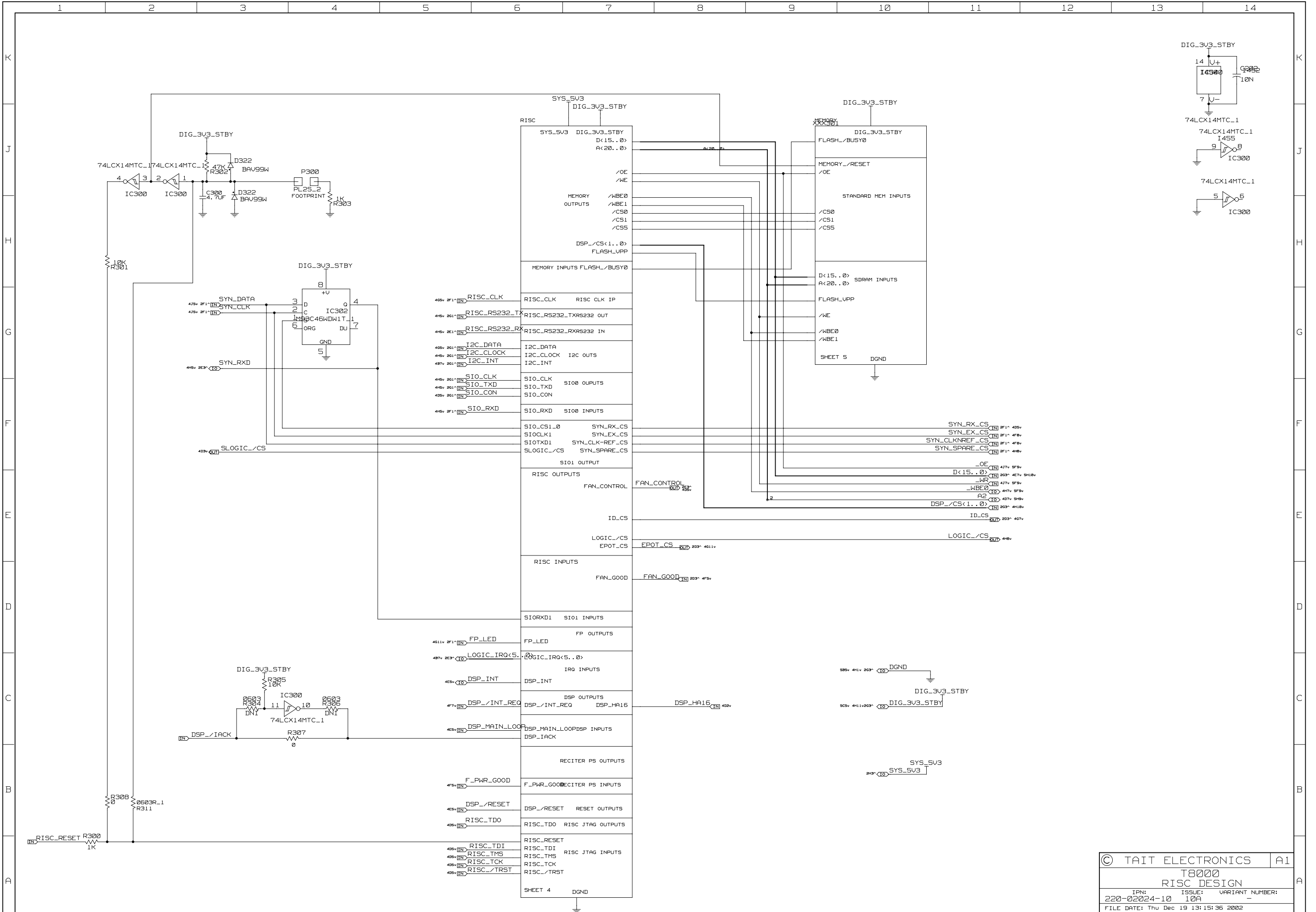


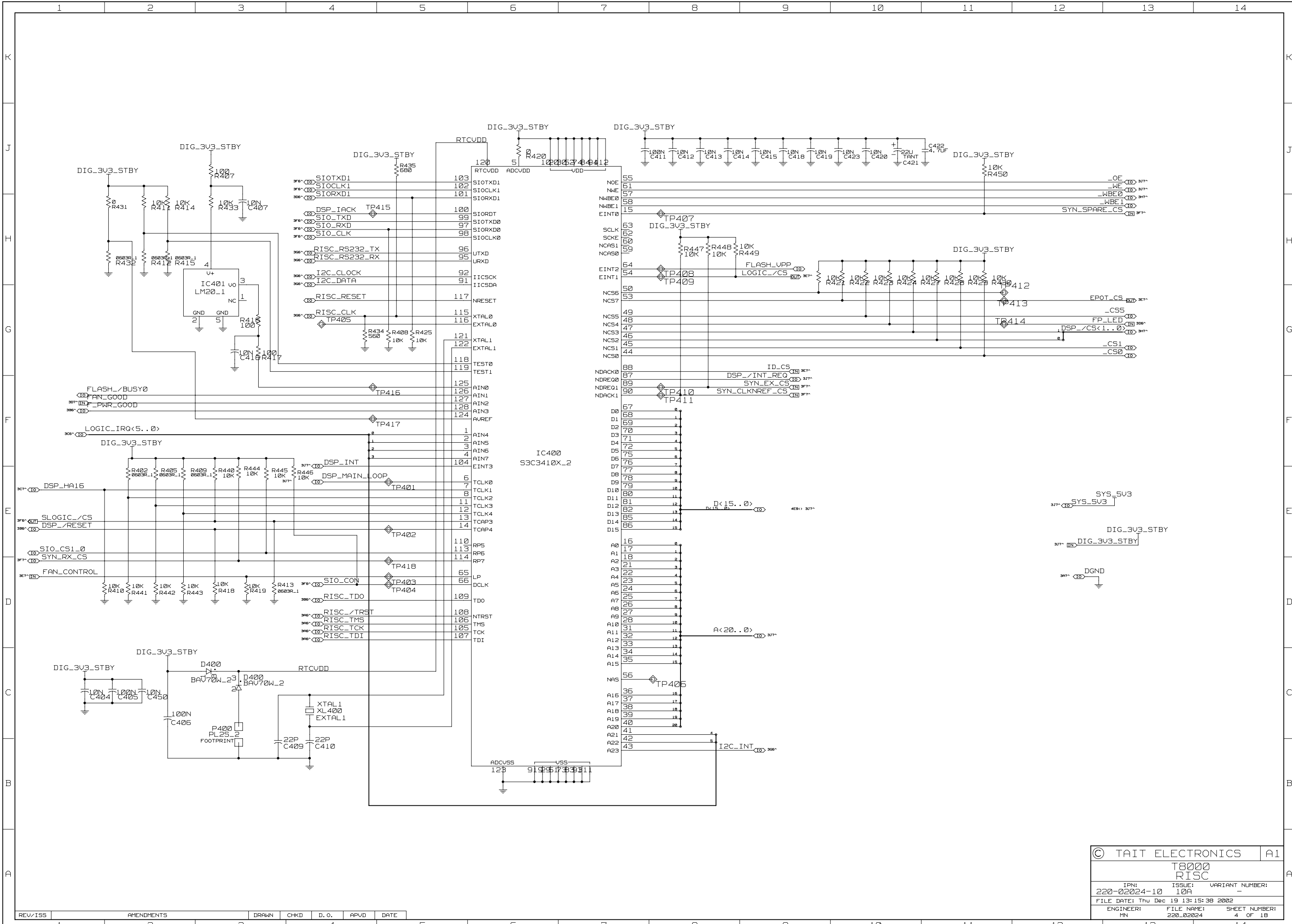
© TAIT ELECTRONICS		A1
T8000 DIG DESIGN		
IPN: 220-02024-10	ISSUE: 10A	VARIANT NUMBER: -
FILE DATE: Thu Dec 19 13:15:35 2002		
ENGINEER: MN	FILE NAME: 220_02024	SHEET NUMBER: 2 OF 18

REV/ISS	AMENDMENTS	DRAWN	CHKD	D.O.	APVD	DATE
1						



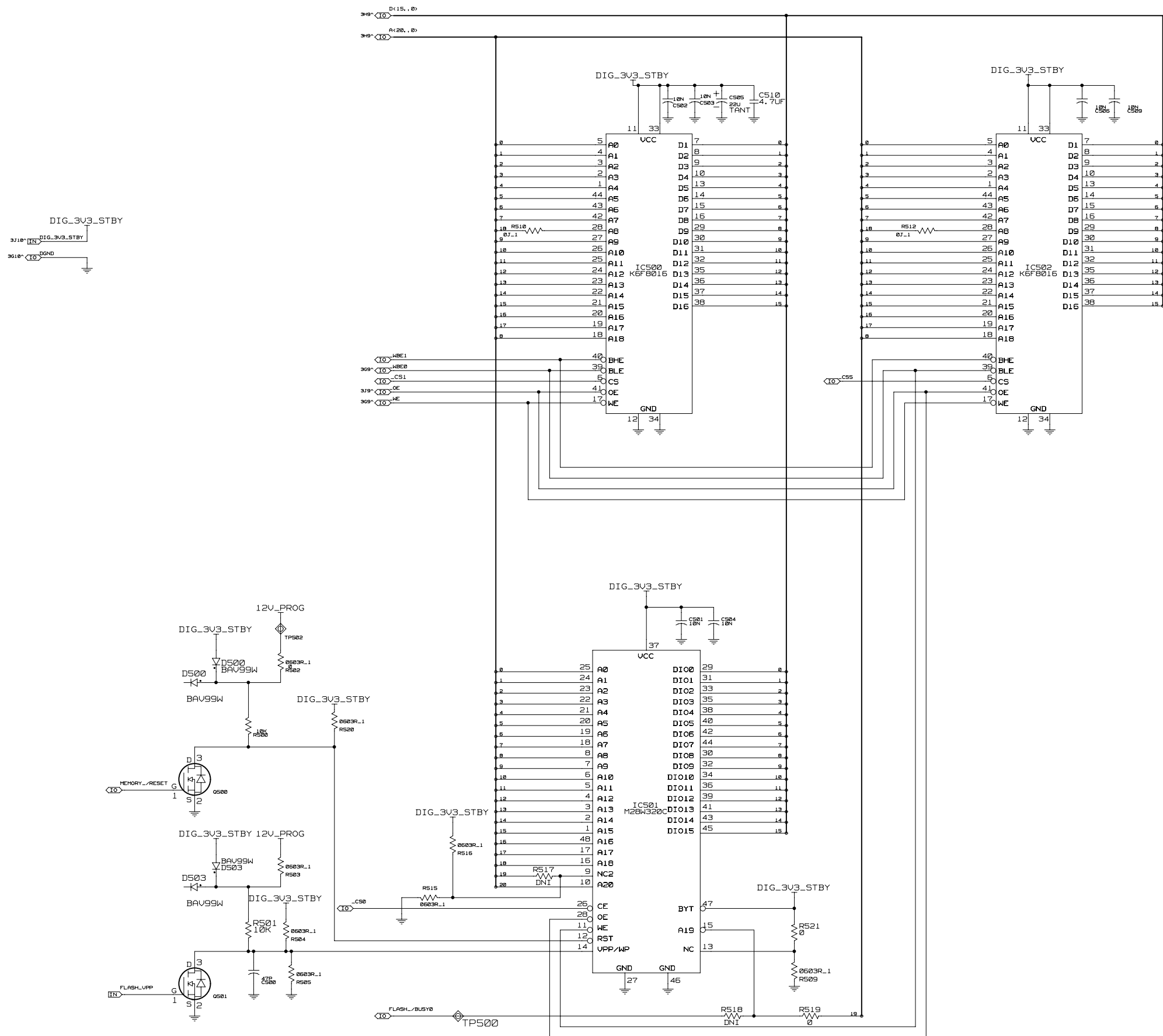
© TAIT ELECTRONICS		A1
T8000 RISC DESIGN		
IPN: 220-02024-10	ISSUE: 10A	VARIANT NUMBER: -
FILE DATE: Thu Dec 19 13:15:35 2002		
ENGINEER: MN	FILE NAME: 220_02024	SHEET NUMBER: 3 OF 18

REV/ISS	AMENDMENTS	DRAWN	CHKD	D.O.	APVD	DATE
1						



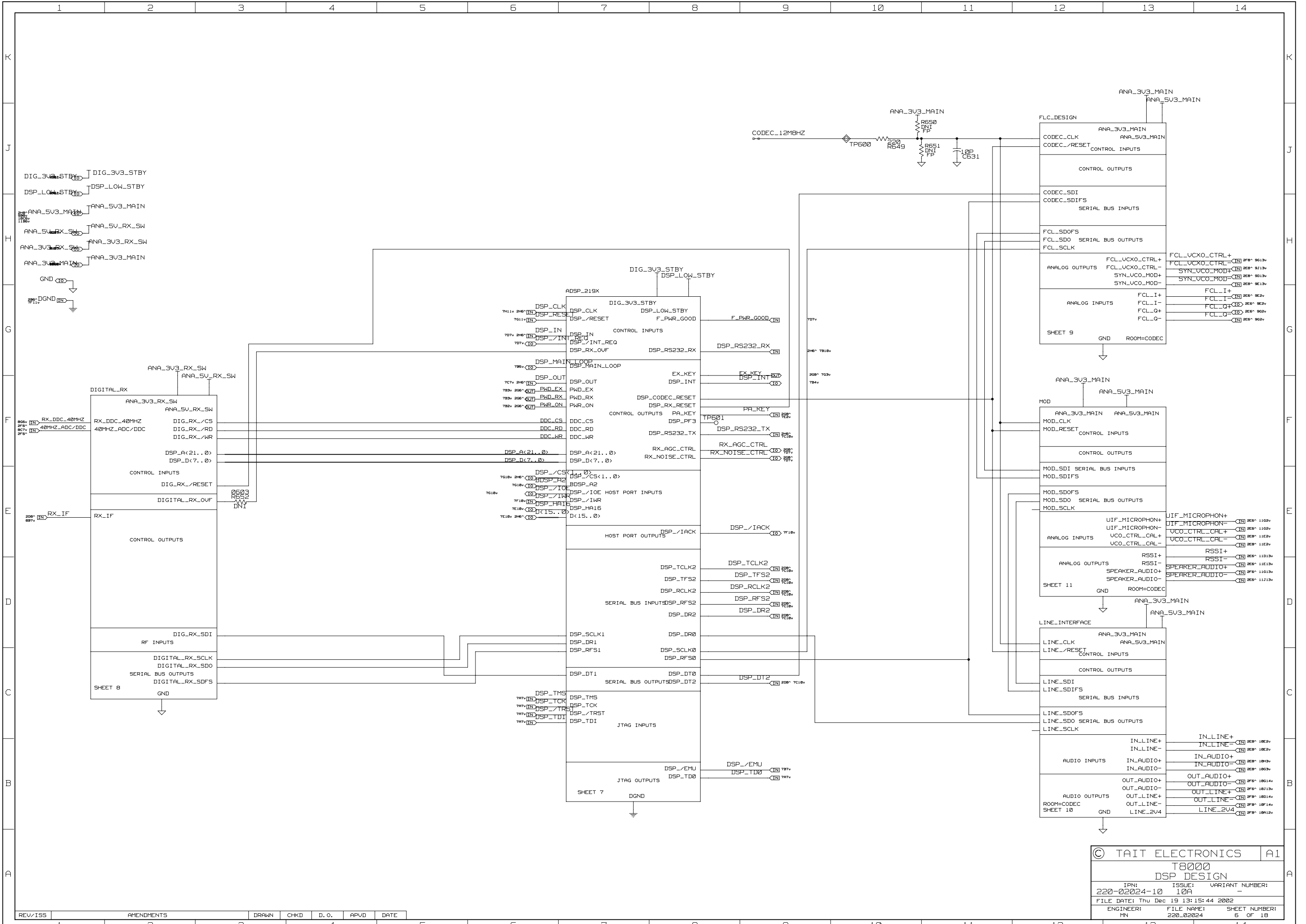
© TAIT ELECTRONICS		A1
T8000 RISC		
IPN: 220-02024-10	ISSUE: 10A	VARIANT NUMBER: -
FILE DATE: Thu Dec 19 13:15:38 2002		
ENGINEER: MN	FILE NAME: 220_02024	SHEET NUMBER: 4 OF 18

REV/ISS	AMENDMENTS	DRAWN	CHKD	D.O.	APVD	DATE
1						



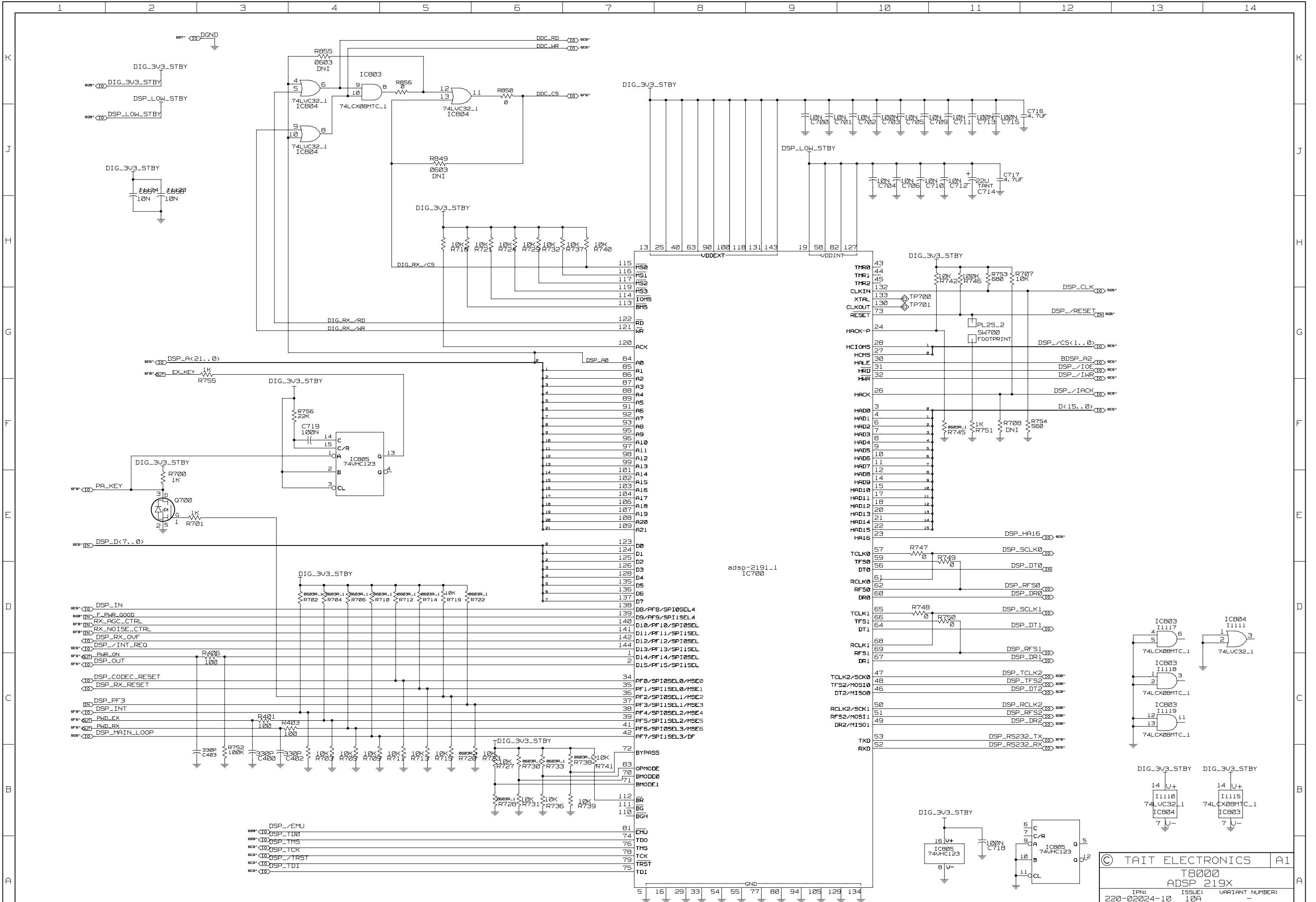
© TAIT ELECTRONICS		A1
TB000 MEMORY		
IPN: 220-02024-10	ISSUE: 10A	VARIANT NUMBER: -
FILE DATE: Thu Dec 19 13:15:39 2002		
ENGINEER: MN	FILE NAME: 220_02024	SHEET NUMBER: 5 OF 18

REV/ISS	AMENDMENTS	DRAWN	CHKD	D.O.	APVD	DATE
1						



© TAIT ELECTRONICS		A1
T8000 DSP DESIGN		
IPN: 220-02024-10	ISSUE: 10A	VARIANT NUMBER: -
FILE DATE: Thu Dec 19 13:15:44 2002		
ENGINEER: MN	FILE NAME: 220_02024	SHEET NUMBER: 6 OF 18

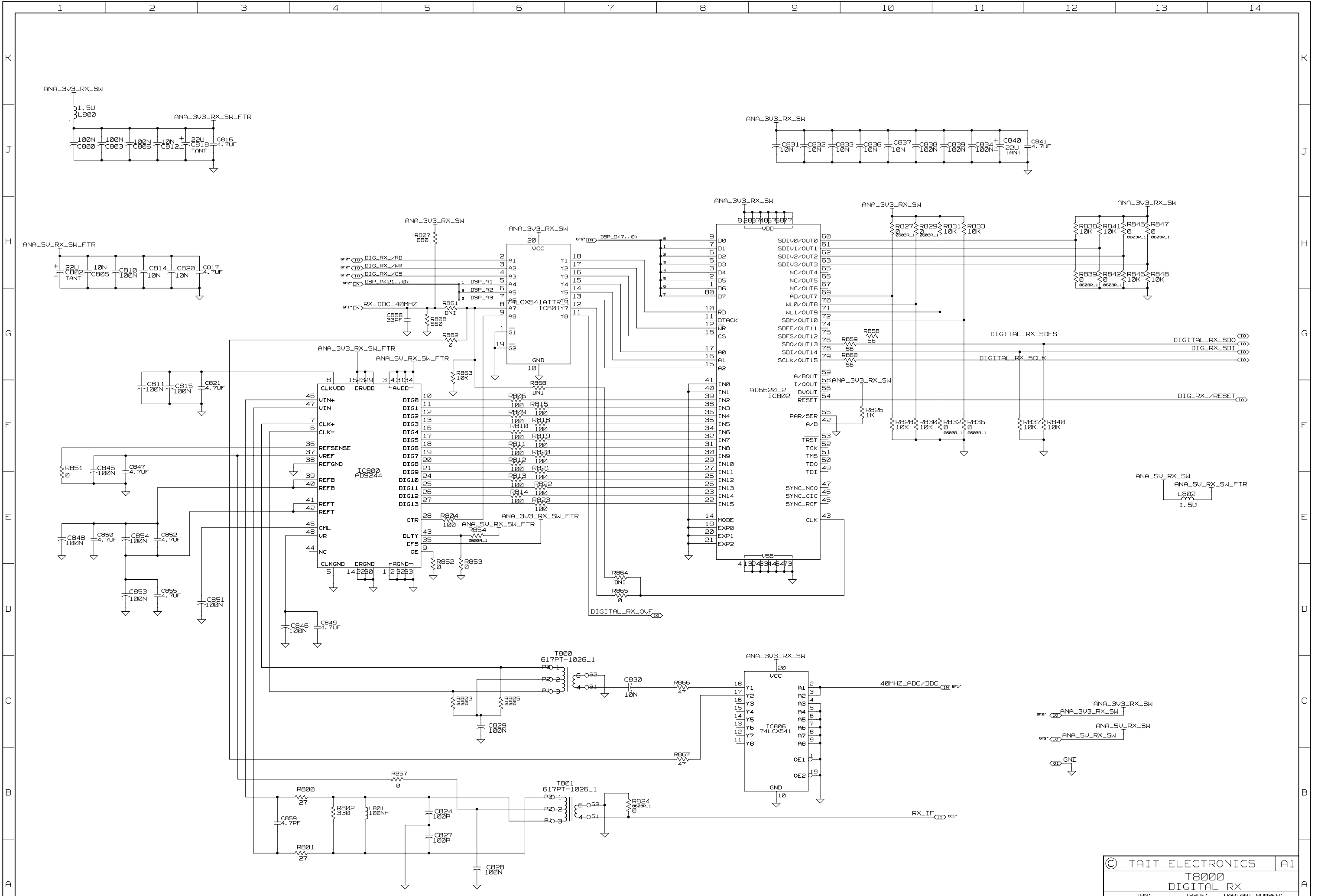
REV/ISS	AMENDMENTS	DRAWN	CHKD	D.O.	APVD	DATE
1				4		



adsp-2191.1
IC700

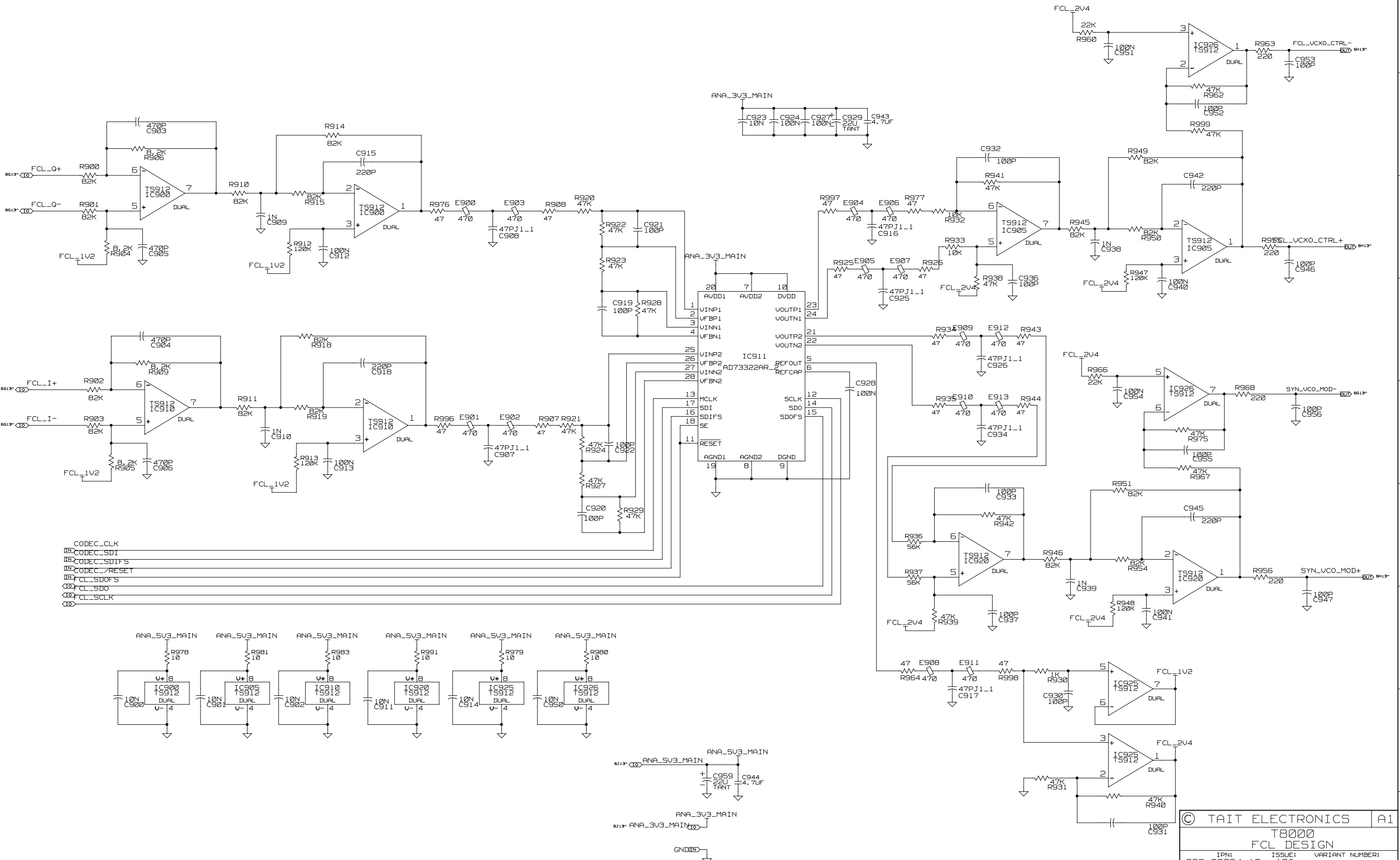
© TAIT ELECTRONICS		A1
T8000 ADSP_219X		
IPN:	ISSUE:	VARIANT NUMBER:
220-02024-10	10A	-
FILE DATE: Thu Dec 19 13:15:49 2002		
ENGINEER:	FILE NAME:	SHEET NUMBER:
MN	220_02024	7 OF 18

REV/ISS	AMENDMENTS	DRAWN	CHKD	D.O.	APVD	DATE
1						



© TAIT ELECTRONICS		A1
T8000 DIGITAL RX		
IPN: 220-02024-10	ISSUE: 10A	VARIANT NUMBER: -
FILE DATE: Thu Dec 19 13:15:51 2002		
ENGINEER: MN	FILE NAME: 220_02024	SHEET NUMBER: 8 OF 18

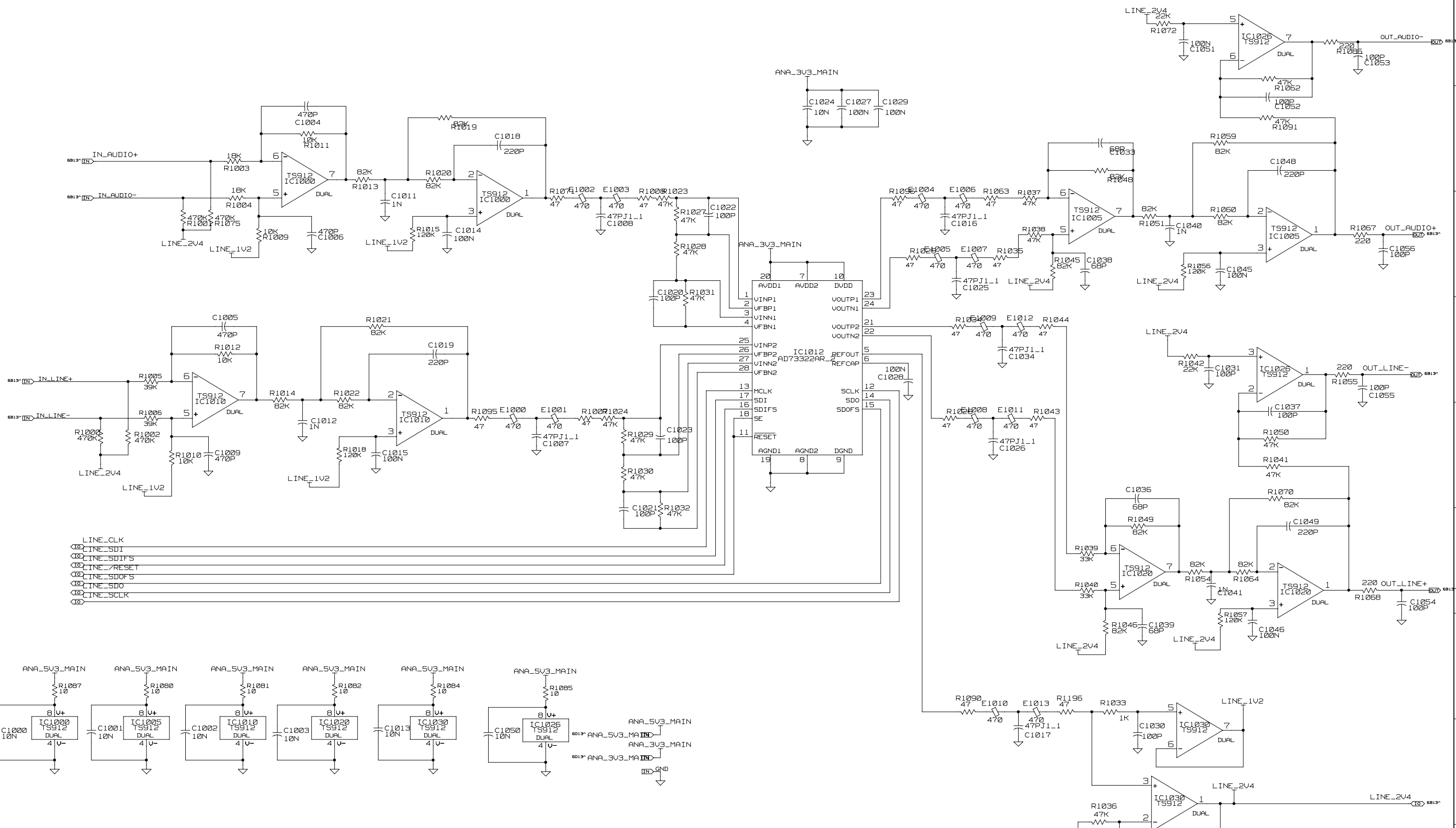
REV/ISS	AMENDMENTS	DRAWN	CHKD	D.O.	APVD	DATE
1						



CODEC_CLK
 IN CODEC_SDI
 IN CODEC_SDI FS
 IN CODEC_RESET
 IN CL_SDO FS
 CL_SDO
 CL_SCLK

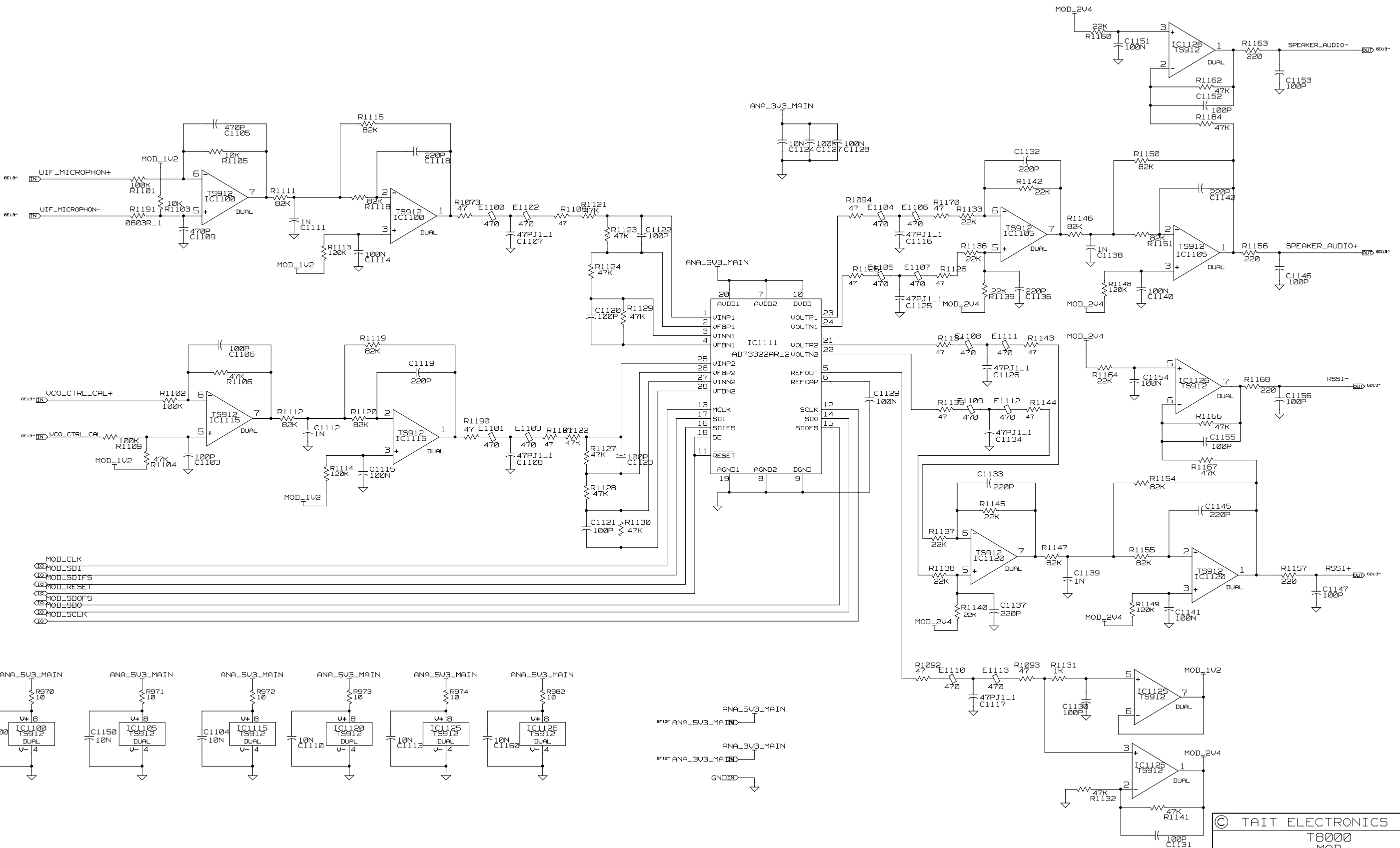
© TAIT ELECTRONICS		A1
T8000		
FCL DESIGN		
IPN: 220-02024-10	ISSUE: 10A	VARIANT NUMBER: -
FILE DATE: Thu Dec 19 13:15:54 2002		
ENGINEER: MN	FILE NAME: 220_02024	SHEET NUMBER: 9 OF 18

REV/ISS	AMENDMENTS	DRAWN	CHKD	D.O.	APVD	DATE
1						



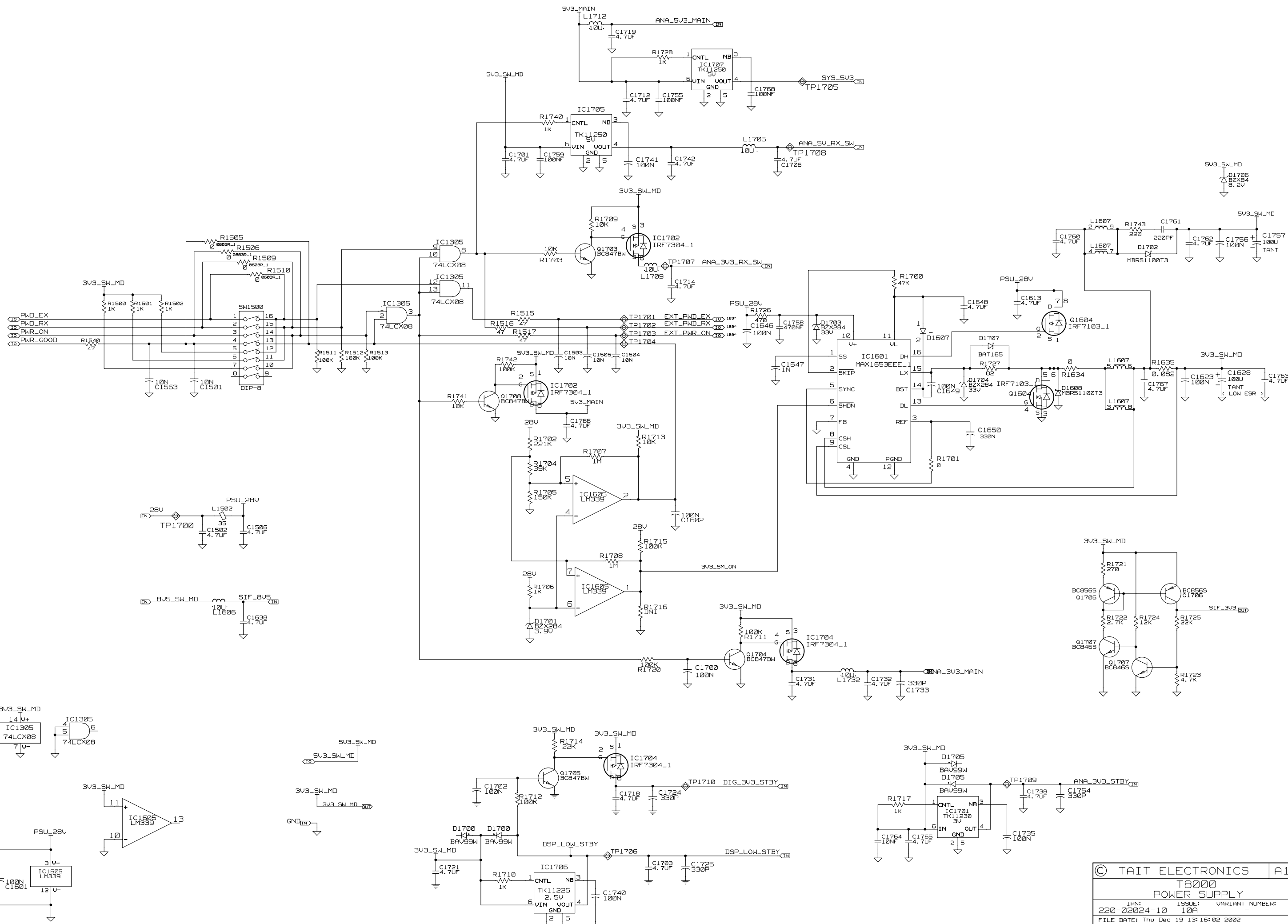
© TAIT ELECTRONICS		A1
T8000		
LINE INTERFACE		
IPN: 220-02024-10	ISSUE: 10A	VARIANT NUMBER: -
FILE DATE: Thu Dec 19 13:15:57 2002		
ENGINEER: MN	FILE NAME: 220_02024	SHEET NUMBER: 10 OF 18

REV/ISS	AMENDMENTS	DRAWN	CHKD	D.O.	APVD	DATE
1						



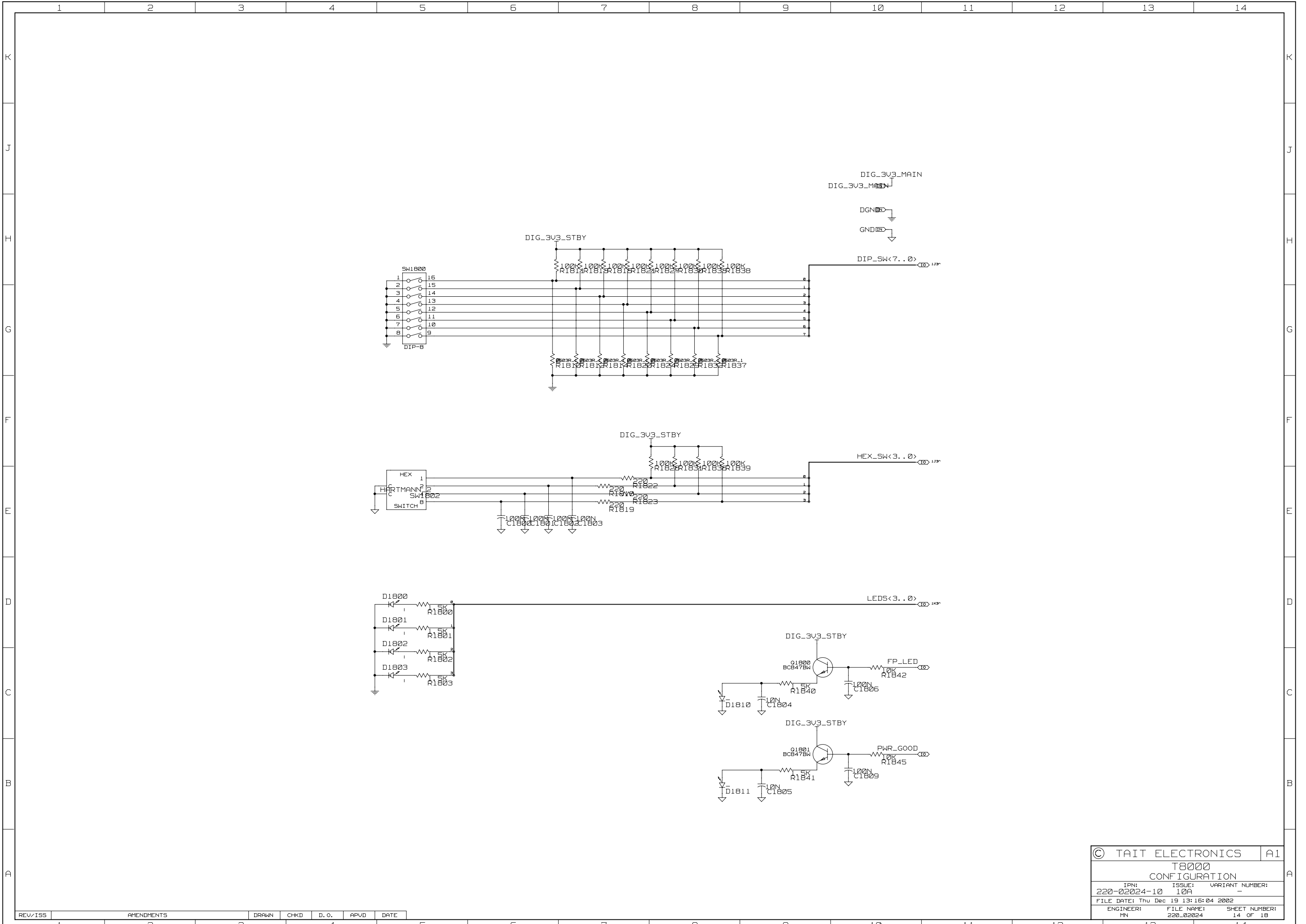
REV/ISS	AMENDMENTS	DRAWN	CHKD	D.O.	APVD	DATE
1						

© TAIT ELECTRONICS		A1
T8000 MOD		
IPN: 220-02024-10	ISSUE: 10A	VARIANT NUMBER: -
FILE DATE: Thu Dec 19 13:15:59 2002		
ENGINEER: MN	FILE NAME: 220_02024	SHEET NUMBER: 11 OF 18



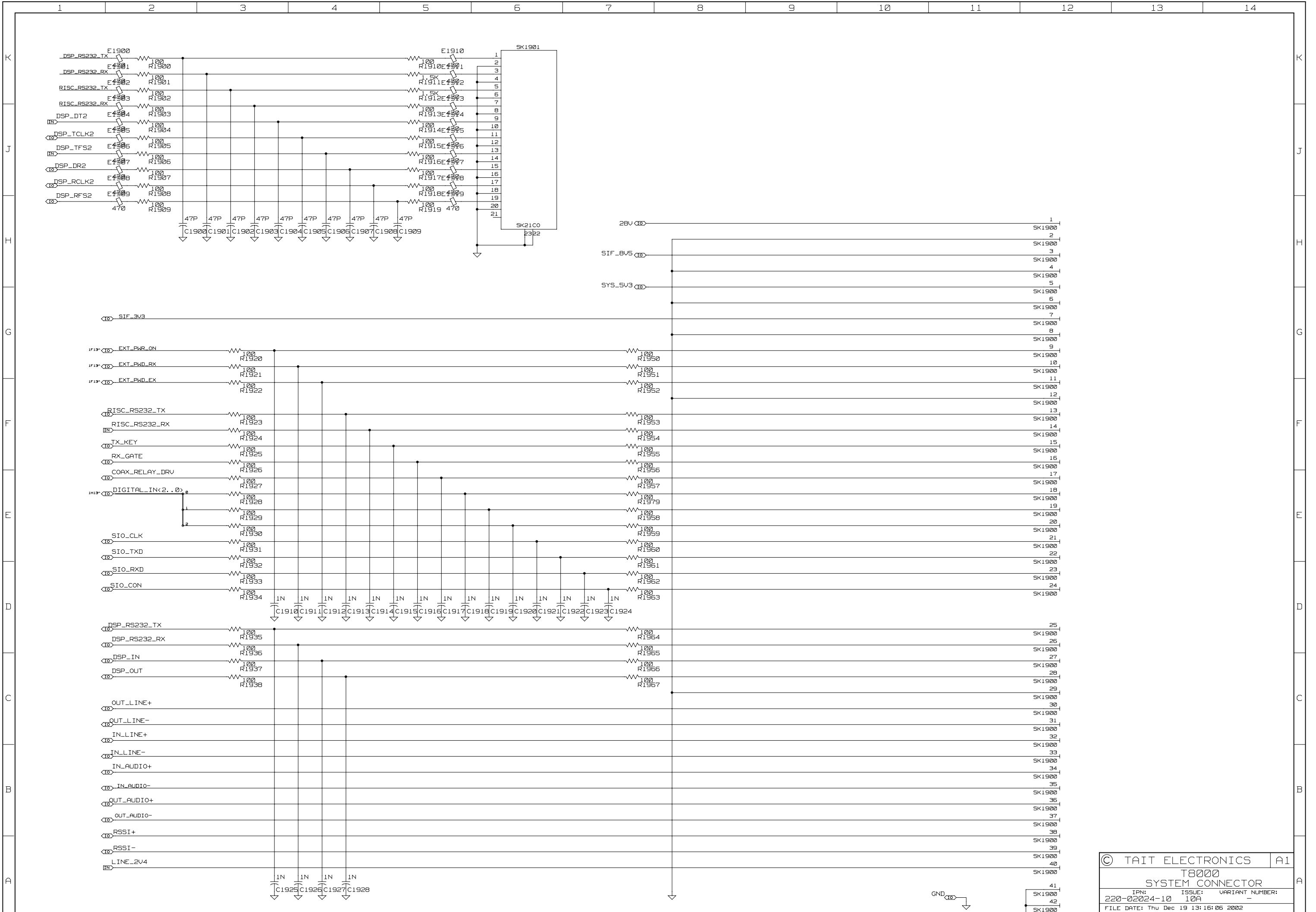
© TAIT ELECTRONICS		A1
T8000		
POWER SUPPLY		
IPN:	ISSUE:	VARIANT NUMBER:
220-02024-10	10A	-
FILE DATE: Thu Dec 19 13:16:02 2002		
ENGINEER:	FILE NAME:	SHEET NUMBER:
MN	220_02024	13 OF 18

REV/ISS	AMENDMENTS	DRAWN	CHKD	D.O.	APVD	DATE
1						



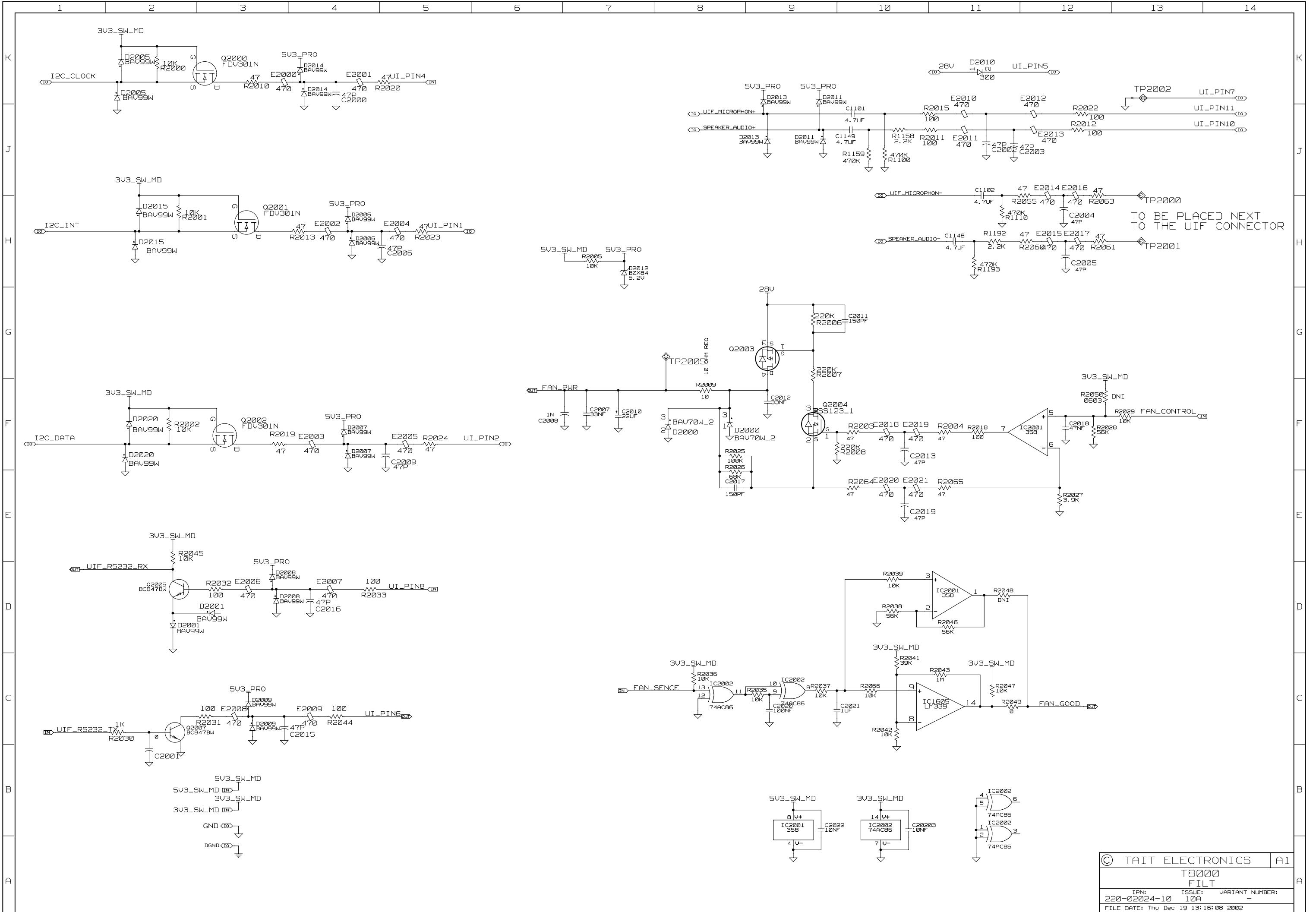
© TAIT ELECTRONICS		A1
T8000 CONFIGURATION		
IPN: 220-02024-10	ISSUE: 10A	VARIANT NUMBER: -
FILE DATE: Thu Dec 19 13:16:04 2002		
ENGINEER: MN	FILE NAME: 220_02024	SHEET NUMBER: 14 OF 18

REV/ISS	AMENDMENTS	DRAWN	CHKD	D.O.	APVD	DATE
1						



© TAIT ELECTRONICS		A1
T8000 SYSTEM CONNECTOR		
IPN: 220-02024-10	ISSUE: 10A	VARIANT NUMBER: -
FILE DATE: Thu Dec 19 13:16:05 2002		
ENGINEER: MN	FILE NAME: 220_02024	SHEET NUMBER: 15 OF 18

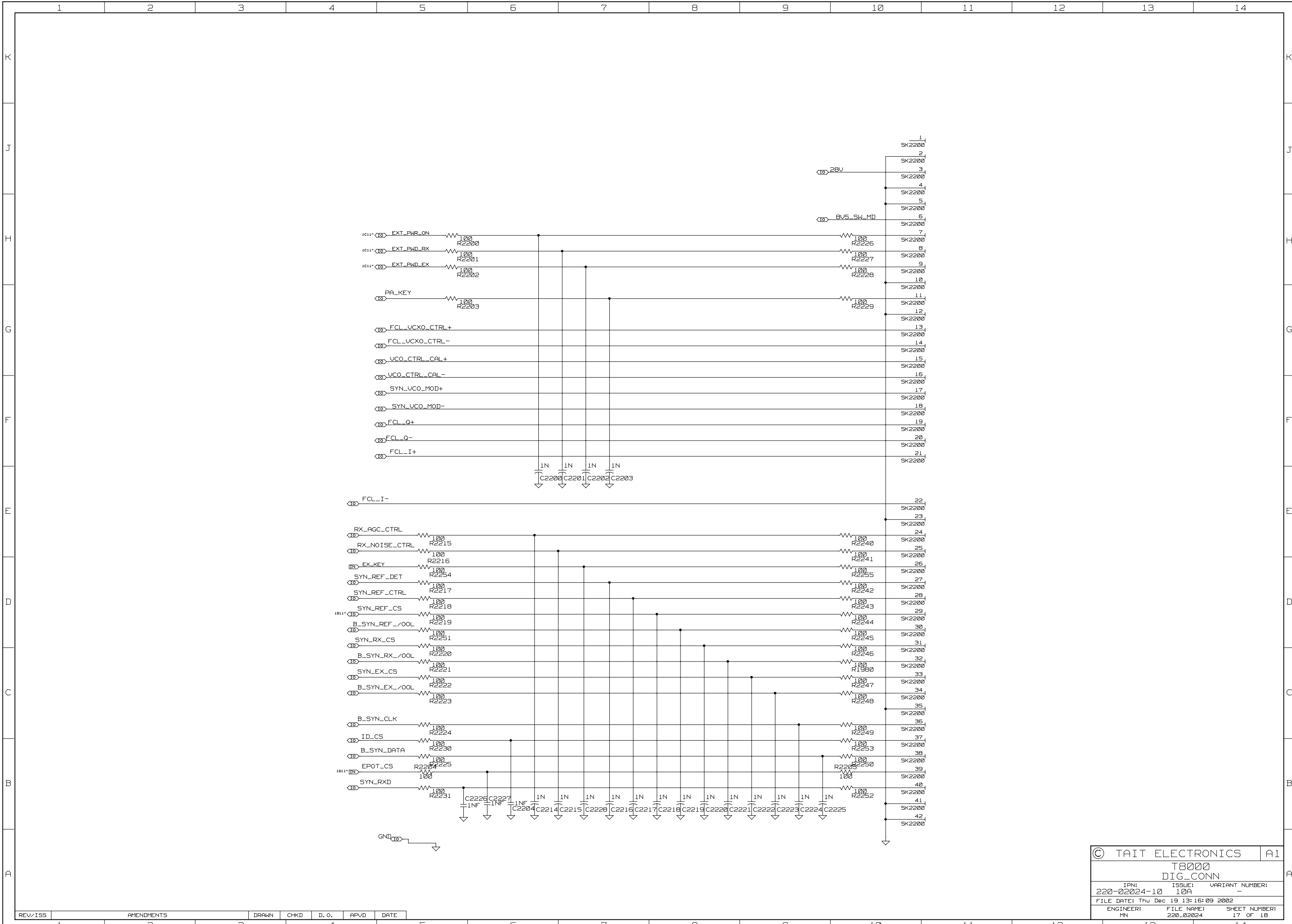
REV/ISS	AMENDMENTS	DRAWN	CHKD	D.O.	APVD	DATE
1						



TO BE PLACED NEXT TO THE UIF CONNECTOR

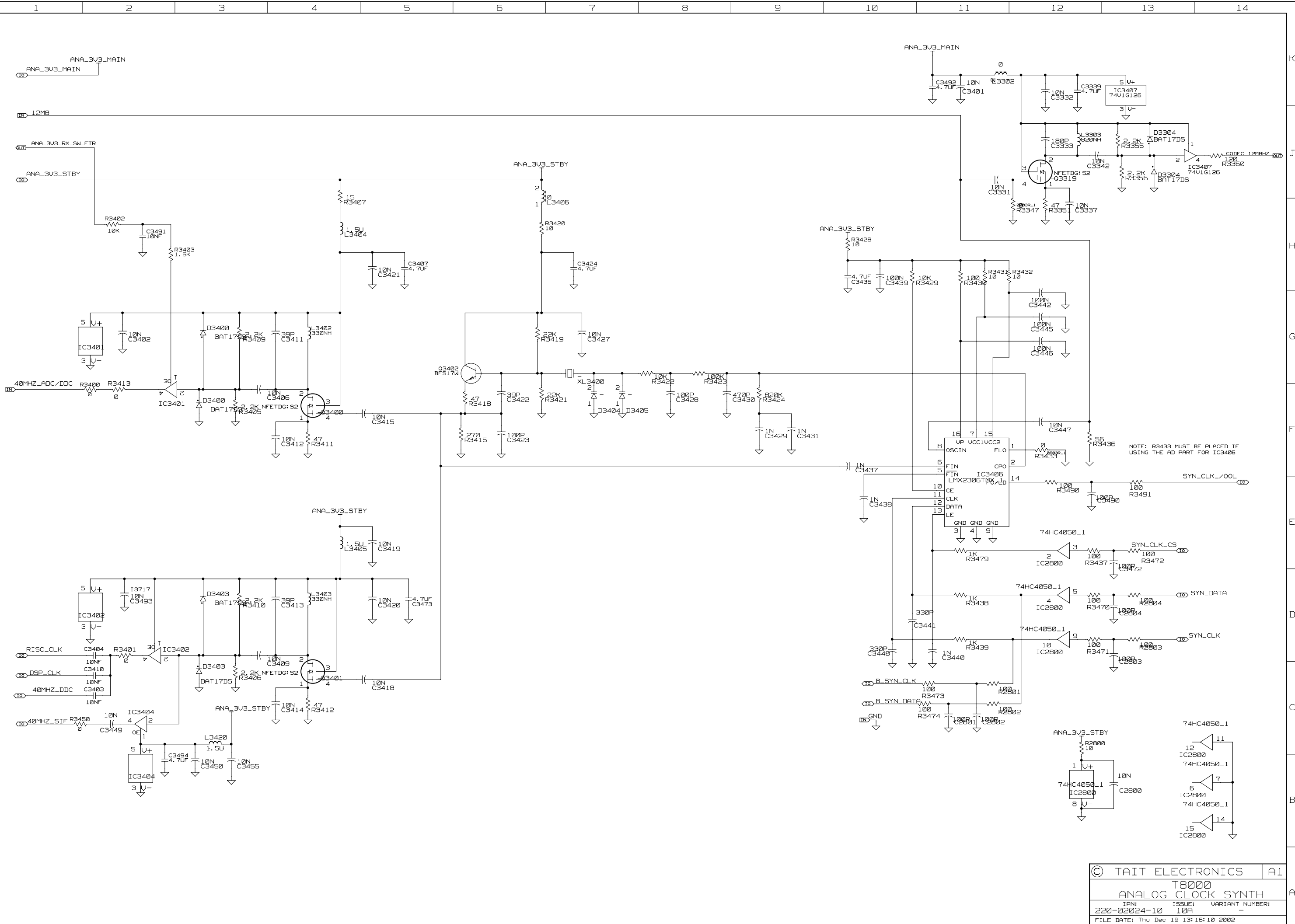
© TAIT ELECTRONICS		A1
T8000 FILTER		
IPN: 220-02024-10	ISSUE: 10A	VARIANT NUMBER: -
FILE DATE: Thu Dec 19 13:16:08 2002		
ENGINEER: MN	FILE NAME: 220_02024	SHEET NUMBER: 16 OF 18

REV/ISS	AMENDMENTS	DRAWN	CHKD	D.O.	APVD	DATE
1						



© TAIT ELECTRONICS		A1
T8000 DIG_CONN		
IPN: 220-02024-10	ISSUE: 10A	VARIANT NUMBER: -
FILE DATE: Thu Dec 19 13:16:09 2002		
ENGINEER: MN	FILE NAME: 220_02024	SHEET NUMBER: 17 OF 18

REV/ISS	AMENDMENTS	DRAWN	CHKD	D. O.	APVD	DATE
1						



© TAIT ELECTRONICS		A1
T8000		
ANALOG CLOCK SYNTH		
IPN:	ISSUE:	VARIANT NUMBER:
220-02024-10	10A	-
FILE DATE:	Thu Dec 19 13:16:10 2002	
ENGINEER:	FILE NAME:	SHEET NUMBER:
MN	220_02024	18 OF 18

REV/ISS	AMENDMENTS	DRAWN	CHKD	D.O.	APVD	DATE
1						

